



**SERIES 1550 ECO**

Single-pole rocker switches  
to 10 (4) A 250 V AC 1E4



▶ PAGE  
243 – 245

**SERIES 1086 ECO**

Single-pole pushbutton switches  
to 10 (3) A 250 V AC 1E4



▶ PAGE  
246 – 247



# SERIES 1550 ECO - SINGLE-POLE ROCKER SWITCHES

TO 10 (4) A 250 V AC 1E4




## PRODUCT FEATURES

- Automatic switching off with flexible timer  
4s - 71 h (auto-off)
- Automatic switching off with signal from the end device (remote-off)
- 100 million times proven switching principle
- Symmetric actuation characteristic
- Compact, one piece solution
- High design variety
- Auto-off version with intelligent current detection
- Energy neutral through total single-pole galvanic separation - "Zero-Watt"
- Stable, automatic snap-in from the back

## ON REQUEST



- Other colors
- Other printing variants
- Other shut off times
- Other lamp variants
- Other installation method
- Other terminal types
- Other trigger types
- Higher electrical rating


|  |   |
|--|---|
| Mechanical life endurance                      | 5E4   |
| Contact distance                               | ≥ 3 mm  |
| Contact resistance (new condition)             | < 100 mOhm (1 A 12 V DC)  |
| Insulation resistance (new condition)          | > 100 MOhm (500 V DC)   |
| Proof tracking                                 | 250 PTI   |
| Protection type                                | IP 40   |
| Ambient temperature                            | terminal side -20 °C ... +85 °C<br>actuating side -20 °C ... +55 °C                 |
| Flammability                                   | UL 94 V-2   |
| Glow wire test temperature                     | 850 °C  |
| Material actuator<br>housing                   | PA<br>PA  |
| Plug force of the terminals                    | ≤ 80 N  |
| Approval marks                                 |  |
| Suitable for appliances of protection class II |   |



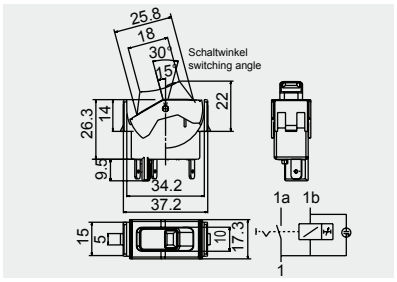
# SERIES 1550 ECO - SINGLE-POLE ROCKER SWITCHES


TO 10 (4) A 250 V AC 1E4

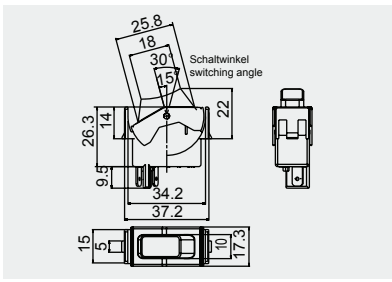
|   | Lighting voltage in V | Actuator color / printing | Housing color | Terminal type | Terminal description | Contact material             | Miscellaneous  | Stock version |
|---|-----------------------|---------------------------|---------------|---------------|----------------------|------------------------------|--|---------------|
| <br>single-pole<br> |                       |                           |               |               |                      | EN 60335 cap. 30 conform "G" |  |               |
| <b>ON / OFF switch (SPST)</b>   |                       |                           |               |               |                      |                              |  |               |
| 1550.1940   | 230                   |                           |               |               | 4.8                  | Ag                           | auto-off-function<br>auto-off time: t = 30 min.                      |               |
| 1550.1942   | 230                   |                           |               |               | 4.8                  | Ag                           | auto-off-function<br>auto-off time: t = 1h<br>with current detection |               |
| 1550.1943   | 230                   |                           |               |               | 4.8                  | Ag                           | auto-off-function<br>auto-off time: t = 15 min.                      |               |
| 1550.1944   | 230                   |                           |               |               | 4.8                  | Ag                           | auto-off-function<br>auto-off time: t = 15 min.                      |               |
| 1550.1950   | 230                   |                           |               |               | 4.8                  | Ag                           | remote-off function  |               |
| 1550.1902   | 230                   |                           |               |               | 4.8                  | Ag                           | standard switch without ECO function                                 |               |
| 1551.1950   |                       |                           |               |               | 4.8                  | Ag                           | remote-off function  |               |
| 1551.1902   |                       |                           |               |               | 4.8                  | Ag                           | standard switch without ECO function                                 |               |




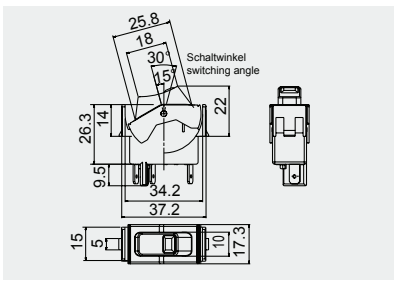
Basic type 1550 ECO




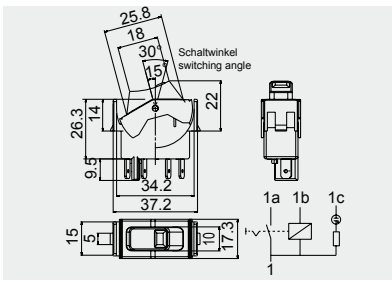
 Quick-connect terminal 4.8 x 0.8  
auto-off  
auto-off with current detection




 Quick-connect terminal 4.8 x 0.8  
ON / OFF standard version



 Quick-connect terminal 4.8 x 0.8  
ON / OFF standard version  
illuminated



 Quick-connect terminal 4.8 x 0.8  
Remote-OFF

ROCKER SWITCHES

PUSHBUTTON SWITCHES

TOGGLE SWITCHES

SLIDE SWITCHES

ROTARY SWITCHES

FOOT SWITCHES

TACT AND KEY SWITCHES

SNAP-ACTION SWITCHES

MICRO-SIGNAL SWITCHES

SENSORS

ECO

PUSH/DRIVE

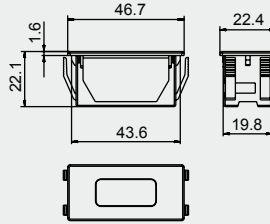


## SERIES 1550 ECO - SINGLE-POLE ROCKER SWITCHES

TO 10 (4) A 250 V AC 1E4



Installation frame  
217.xxx.xxx



Installation frame with flange and latching from the front side



Holder clamp  
on request

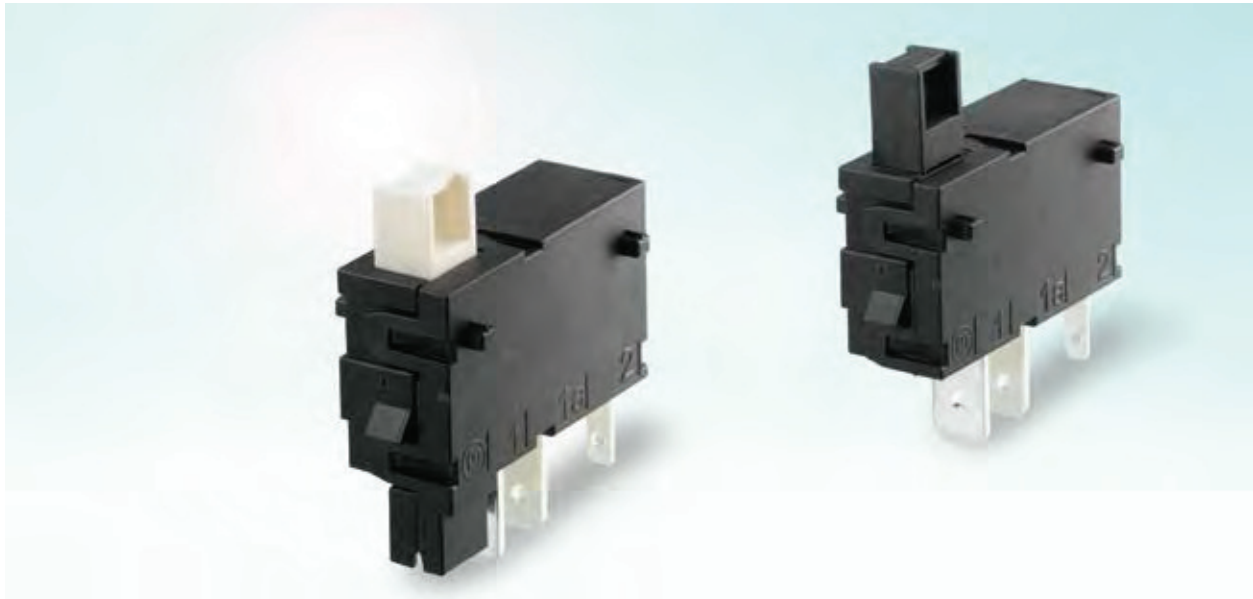


Holder clamp made of metal as installation alternative.  
Switch is delivered with attached clamps.



# SERIES 1086 ECO - SINGLE-POLE PUSHBUTTON SWITCHES

TO 10 (3) A 250 V AC 1E4



## PRODUCT FEATURES

- Automatic switching off with signal from the end device (remote-off)
- Version with auxiliary contact for a delayed shut-off by the end device
- 100 million times proven 1080 snap-action switching system
- Compact, one piece solution
- Variable actuator design with holder
- Energy neutral through total single-pole galvanic separation - "Zero-Watt"

## ON REQUEST



- Other terminal variants
- Customized actuators
- Cable assembly
- Higher electrical ratings


|  |   |
|--|---|
| <b>Mechanical life endurance</b>             | 20E4  |
| <b>Contact resistance (new condition)</b>    | < 100 mOhm (1 A 12 V DC)  |
| <b>Insulation resistance (new condition)</b> | > 100 MOhm (500 V DC)   |
| <b>Proof tracking</b>                        | 250 PTI   |
| <b>Protection type</b>                       | IP 40   |
| <b>Ambient temperature</b>                   | -40 °C ... +85 °C   |
| <b>Flammability</b>                          | UL 94 V-0   |
| <b>Glow wire test temperature</b>            | 850 °C  |
| <b>Material</b>                              | actuator PA<br>additional actuator stainless steel<br>housing PA<br>terminals silver plated |
| <b>Approval marks</b>                        |   |
| <b>Operating force</b>                       | ≤ 2.5 N   |



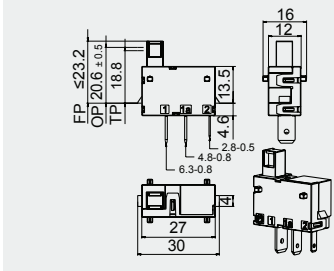
# SERIES 1086 ECO - SINGLE-POLE PUSHBUTTON SWITCHES


TO 10 (3) A 250 V AC 1E4

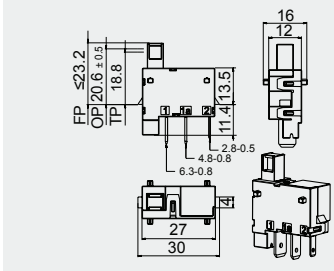
| <br>single-pole | 10 (3) A 250 V AC 1E4 | Terminal type   | Terminal description    | Contact distance (mm) | Contact material | Operating force (N) | Free position (FP) max. (mm) | Operating position (OP) (mm) | Permissible total travel position (mm) | EN 60335 cap. 30 conform „G“ | Miscellaneous                       | Stock version |
|--|-----------------------|---|-------------------------|-----------------------|------------------|---------------------|------------------------------|------------------------------|--|------------------------------|-------------------------------------|---------------|
| ON / OFF switch (SPST)   |                       |   |                         |                       |                  |                     |                              |                              |  |                              |                                     |               |
| 1086.3101  | ○                     |  | 2.8 x 0.5<br>4.8<br>6.3 | > 3                   | Ag               | ≤ 2.5               | 23.2                         | 20.6 ± 0.5                   | 18.8                                   | ○                            |                                     |               |
| 1086.3201  | ○                     |   | 2.8 x 0.5<br>4.8<br>6.3 | > 3                   | Ag               | ≤ 2.5               | 23.2                         | 20.6 ± 0.5                   | 18.8                                   | ○                            | Remote-off with auxiliary contactor |               |




Basic type 1086



 Quick-connect terminal  
2.8 x 0.5, 4.8 x 0.8, 6.3 x 0.8  
1086.3101



 Quick-connect terminal  
2.8 x 0.5, 4.8 x 0.8, 6.3 x 0.8  
Socket (2.0 mm) for auxiliary contact  
1086.3201

ROCKER SWITCHES  
PUSHBUTTON SWITCHES  
TOGGLE SWITCHES  
SLIDE SWITCHES  
ROTARY SWITCHES  
FOOT SWITCHES  
TACT AND KEY SWITCHES  
SNAP-ACTION SWITCHES  
MICRO-SIGNAL SWITCHES  
SENSORS  
PUSH IN DRIVE